

## Motorized Filter Wheels

### High Speed Filter Wheel System



The Prior Scientific filter wheel system can be provided as a stand alone unit or used in conjunction with stage and focus systems controlled via the Prior ProScan™III or OptiScan™II stepper motor controllers.

Features of the Filter Wheel System include:

- The ability to mount on the illumination or emission side of the microscope
- Available for 25mm (10 position) or 32mm (8 position) filters
- A large selection of adapters to fit most illuminators
- Filter wheel position and shutter status are controlled via either RS232 or an optional keypad
- Filter wheels can be stacked together in series for ND filters
- Magnetic covers over the filter load position on both sides of the filter wheel for easy access to change filters
- Visible filter position numbers for both the light path filter and the load position filter
- Filter wheel stand for added stability
- Optional dual slide in neutral density filter holder

Prior Scientific products have an established reputation for quality and reliability. They are manufactured using high-quality components. For the filter wheel system and all its products, Prior provides support and service through an extensive network of knowledgeable, professional dealers.

#### General Specifications:

- Filter Wheels: 10 position, 25mm filters, 8 position, 32mm filters
- Filter Wheel Speed: 55ms between adjacent positions (120ms for OptiScan™II)
- Filter Wheel Weight: 32 kg (7 lbs)
- Driven via ProScan™III or OptiScan™II Controller
- Optional Filter Wheel Keypad is available

## Motorized Filter Wheels

High Speed Filter Wheel System

### Ordering Information

#### FILTER WHEELS

Part Number	Description
HF110	Filter wheel 10 position/25mm
HF108	Filter wheel 8 position/32mm
HF108IX3	Emission filter wheel, left frame port deck for Olympus IX53/73/83 models. Includes deck adapter.

#### STANDARD SHUTTERS

Part Number	Description
HF200	Shutter, 25mm, mounted to HF110
HF201	Shutter, 32mm, mounted to HF108
HF202	Shutter, 25mm, stand alone
HF204	Shutter, 32mm, stand alone

#### HIGH TEMPERATURE SHUTTERS

Part Number	Description
HF200HT	Shutter, high temperature, 25mm, mounted to HF110
HF201HT	Shutter, high temperature, 32mm, mounted to HF108
HF202HT	Shutter, high temperature, 25mm, stand alone
HF204HT	Shutter, high temperature, 32mm, stand alone

#### FILTER WHEEL KEYPAD

Part Number	Description
CS100K	Keypad for manual control of filter wheels and shutters

Please contact Prior Scientific for a complete list of excitation, emission, transmitted light and other adapters that are available.



#### High Speed Shutters

The high speed shutter has a 40 Hz\* maximum frequency of operation. The shutter can be opened and closed completely in as little as 10 ms.



#### Filter Wheel Keypad

The optional filter wheel keypad allows the user to easily select any filter position from either one or two filter wheels. This is done by simply selecting the appropriate filter position key.

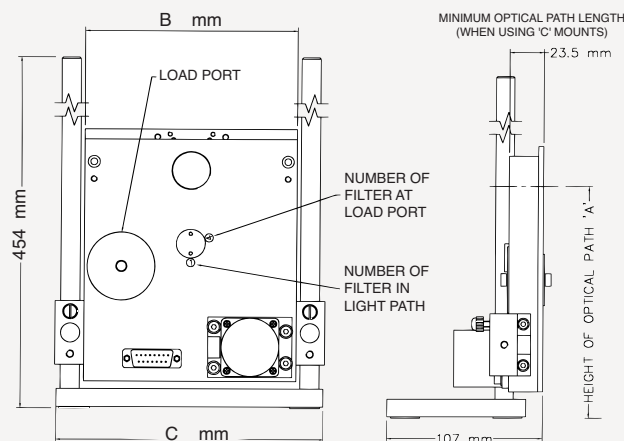


#### Dual Slide-In Filter Holder

The dual slide-in filter holder mounts to the filter wheel and holds two neutral density or IR filters.

\*25mm shutters have maximum continuous speed of 10 Hz. Maximum burst speed of 40 Hz is for a maximum of five cycles per 500ms.

\*35mm shutters have maximum continuous speed of 5 Hz. Maximum burst speed of 20 Hz is for a maximum of five cycles per 500ms.



#### Dimensions For HF108

'A' Maximum on stand 540mm  
'A' Minimum on stand 34 mm  
'A' Minimum off stand 28 mm  
'B' for HF108 - 159mm  
'C' for HF108 - 195mm

#### Dimensions for HF110

'A' Maximum on stand 540mm  
'A' Minimum on stand 34 mm  
'A' Minimum off stand 28 mm  
'B' for HF110 - 141mm  
'C' for HF110 - 179mm